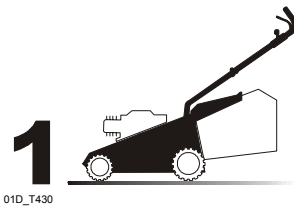
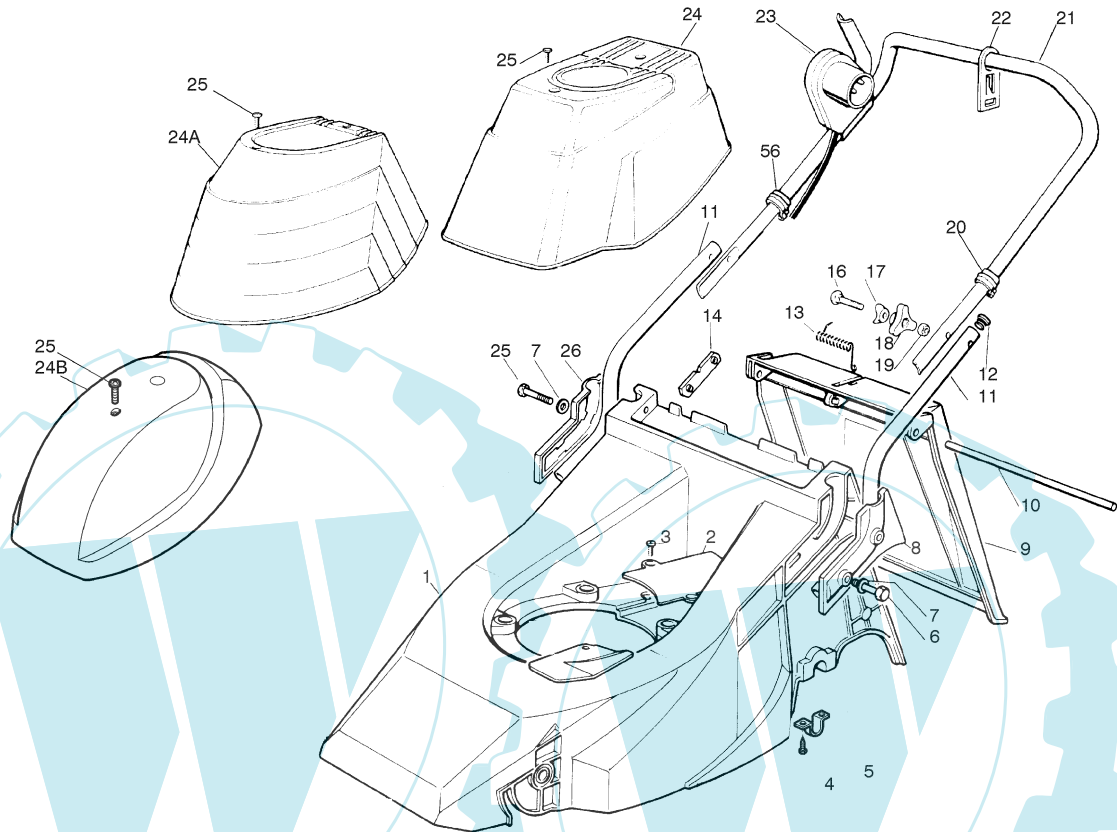


## T 430 - T 430 S - T 480

77



01D\_T430



01T.039

| Pos. | Code       | Q.ty | Descrizione                | Description                | Description                    | Beschreibung               | Remarks           |
|------|------------|------|----------------------------|----------------------------|--------------------------------|----------------------------|-------------------|
| 1    | 81001415/1 | 1    | CHASSIS ROSSO              | DECK RED                   | CHÂSSIS ROUGE                  | GEHÄUSE ROTES              | (T 430 - T 430 S) |
| -    | 81001417/1 | 1    | CHASSIS GIALLO             | DECK YELLOW                | CHÂSSIS JAUNE                  | GEHÄUSE GELBES             | (T 430 - T 430 S) |
| -    | 81001421/1 | 1    | CHASSIS VERDE              | DECK GREEN                 | CHÂSSIS VERT                   | GEHÄUSE GRÜNES             | (T 430 - T 430 S) |
| -    | 81001416/1 | 1    | CHASSIS ROSSO              | DECK RED                   | CHÂSSIS ROUGE                  | GEHÄUSE ROTES              | (T 480)           |
| -    | 81001418/1 | 1    | CHASSIS GIALLO             | DECK YELLOW                | CHÂSSIS JAUNE                  | GEHÄUSE GELBES             | (T 480)           |
| -    | 81001422/1 | 1    | CHASSIS VERDE              | DECK GREEN                 | CHÂSSIS VERT                   | GEHÄUSE GRÜNES             | (T 480)           |
| 2    | 22060171/0 | 1    | CARTER CINGHIA             | PROTECTION, BELT           | PROTECTION COURROIRE           | SCHUTZ, RIEMEN             | (T 430 - T 430 S) |
| -    | 22060172/0 | 1    | CARTER CINGHIA             | PROTECTION, BELT           | PROTECTION COURROIRE           | SCHUTZ, RIEMEN             | (T 480)           |
| 3    | 12728680/0 | 2    | VITE                       | SCREW                      | VIS                            | SCHRAUBE                   |                   |
| 4    | 12735402/0 | 4    | VITE                       | SCREW                      | VIS                            | SCHRAUBE                   |                   |
| 5    | 22545152/0 | 2    | PIASTRINA                  | PLATE                      | PLAQUETTE                      | PLATTE                     |                   |
| 6    | 12691900/0 | 2    | VITE                       | SCREW                      | VIS                            | SCHRAUBE                   |                   |
| 7    | 12521350/0 | 4    | RONDELLA                   | WASHER                     | RONDELLE                       | SCHEIBE                    |                   |
| 8    | 22600043/0 | 1    | PROT. MANICO SX            | PROTECTION, L HANDLE       | PROTECTION MANCHERON G         | SCHUTZ, LINKERHOLM         |                   |
| 9    | 22600023/2 | 1    | PARASASSI                  | STONE-GUARD                | PARE-PIERRES                   | PRALLBLECH                 |                   |
| 10   | 22517907/0 | 1    | PERNO                      | PIN                        | PIVOT                          | BOLZEN                     |                   |
| 11   | 81006917/0 | 2    | MANICO, PARTE INF SX       | HANDLE, L LOWER PART       | MANCHERON, PARTIE INFERIEURE G | HOLM, LINKE UNTERTEIL      |                   |
| 12   | 18566110/0 | 2    | PUNTALE                    | CAP                        | BOUCHON                        | GUMMISTOPFEN               |                   |
| 13   | 22450270/0 | 1    | MOLLA                      | SPRING                     | RESSORT                        | FEDER                      |                   |
| 14   | 81005102/0 | 1    | PIASTRINA FISSAGGIO MANICO | PLATE FOR HANDLE FASTENING | PLAQUETTE FIXAGE MANCHERON     | PLÄTTCHEN, HOLMBEFESTIGUNG |                   |

## T 430 - T 430 S - T 480

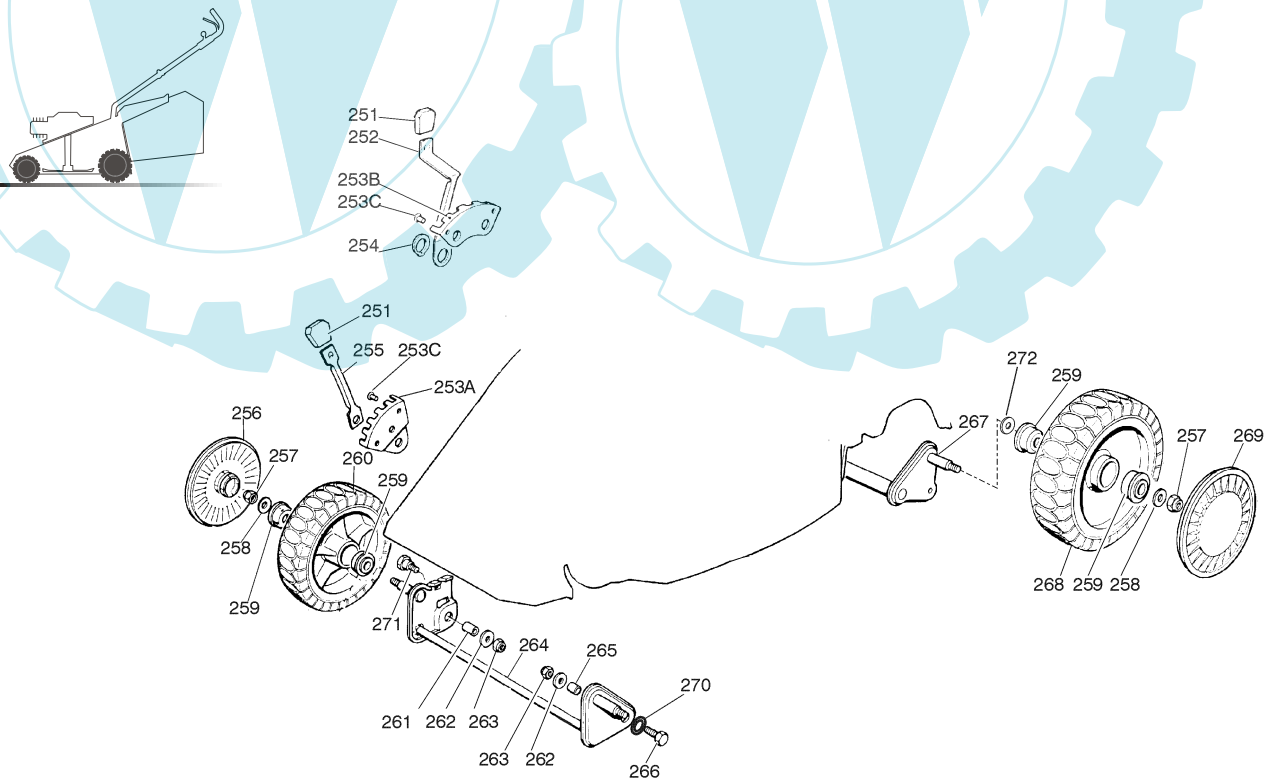
77

01T.039

| Pos. | Code       | Q.ty | Descrizione                       | Description                                    | Description                                | Beschreibung                              | Remarks                      |
|------|------------|------|-----------------------------------|--|--|---|------------------------------|
| 14A  | 22551632/1 | 1    | PIASTRINA FISSAGGIO MANICO        | PLATE FOR HANDLE FASTENING                     | PLAQUETTE FIXAGE MANCHERON                 | PLATTE HOLMBEFESTIGUNG                    |                              |
| 15   | 22192000/1 | 1    | FASCETTA ANCORAGGIO               | ANCHOR CLAMP                                   | COLLIER ANCRAGE                            | BOWDENZUGHALTER                           |                              |
| 16   | 12819120/0 | 2    | VITE                              | SCREW  | VIS  | SCHRAUBE                                  |                              |
| 17   | 22680006/1 | 2    | RONDELLA                          | WASHER   | RONDELLE                                   | SCHEIBE                                   |                              |
| 18   | 22399900/0 | 2    | MANOPOLINA                        | KNOB   | POIGNÉE                                    | GRIFF                                     |                              |
| 19   | 12293200/0 | 2    | DADO                              | NUT  | ECROU                                      | MUTTER                                    |                              |
| 20   | 22192151/0 | 1    | FERMACAVO                         | FAIRLEAD                                       | FIXATION CABLE                             | KABELBEFESTIGUNG                          |                              |
| 21   | 81006945/1 | 1    | MANICO, PARTE SUP                 | HANDLE, UPPER PART                             | MANCHERON, PARTIE SUPERIEURE               | HOLM, OBERTEIL                            |                              |
| 22   | 22195101/2 | 1    | FERMACAVO                         | FAIRLEAD                                       | FIXATION CABLE                             | KABELBEFESTIGUNG                          |                              |
| 23   | 18710604/0 | 1    | SALVAMOTORE                       | DEAD HAND SWITCH                               | INT. MAIN MORTE                            | TOT MANSCHALTER                           | 10A 602 MS                   |
| -    | 18710572/0 | 1    | SALVAMOTORE                       | DEAD HAND SWITCH                               | INT. MAIN MORTE                            | TOT MANSCHALTER                           | 10A 603 MS (ONLY FOR CH)     |
| -    | 18710628/0 | 1    | SALVAMOTORE                       | DEAD HAND SWITCH                               | INT. MAIN MORTE                            | TOT MANSCHALTER                           | 10A 607 MS (ONLY FOR NZ-AUS) |
| -    | 18710634/0 | 1    | SALVAMOTORE - SENZA PROT. TERMICA | DEAD HAND SWITCH - WITHOUT OVERLOAD PROTECTION | INT. MAIN MORTE - SANS PROTECTION TERMIQUE | TOT MANSCHALTER - OHNE THERMISCHER SCHUTZ | 602 MS                       |
| -    | 18710627/1 | 1    | SALVAMOTORE - SENZA PROT. TERMICA | DEAD HAND SWITCH - WITHOUT OVERLOAD PROTECTION | INT. MAIN MORTE - SANS PROTECTION TERMIQUE | TOT MANSCHALTER - OHNE THERMISCHER SCHUTZ | 603 MS (ONLY FOR CH)         |
| 24   | 22055045/1 | 1    | CAPOTTINA                         | COVER  | CAPOT                                      | HAUBE                                     |                              |
| 24A  | 22055033/1 | 1    | CAPOTTINA                         | COVER  | CAPOT                                      | HAUBE                                     |                              |
| 24B  | 22055058/0 | 1    | CAPOTTINA                         | COVER  | CAPOT                                      | HAUBE                                     |                              |
| 25   | 12691400/0 | 2    | VITE                              | SCREW  | VIS  | SCHRAUBE                                  |                              |
| -    | 12728680/0 | 2    | VITE                              | SCREW  | VIS  | SCHRAUBE                                  |                              |
| 26   | 22600042/0 | 1    | PROT. MANICO DX                   | PROTECTION, R HANDLE                           | PROTECTION MANCHERON D                     | SCHUTZ, RECHTERHOLM                       |                              |
| -    | 81008594/0 | 1    | DOTAZIONE VITERIA                 | OUTFIT, SCREWS                                 | DOTATION VISSERIE                          | SATZ, SCHRAUBEN                           |                              |

2

02D\_018



02T.025

| Pos. | Code       | Q.ty | Descrizione | Description | Description | Beschreibung | Remarks |
|------|------------|------|-------------|-------------|-------------|--------------|---------|
| 251  | 22400000/1 | 2    | MANOPOLINA  | KNOB        | POIGNÉE     | GRIFF        |         |

## T 430 - T 430 S - T 480

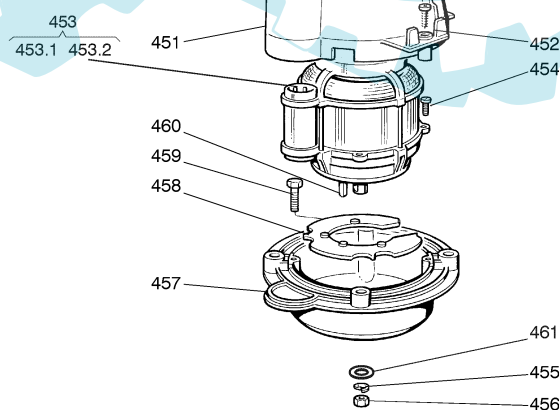
77

02T.025

| Pos. | Code       | Q.ty | Descrizione                 | Description               | Description             | Beschreibung            | Remarks           |
|------|------------|------|-----------------------------|---------------------------|-------------------------|-------------------------|-------------------|
| 252  | 22321497/0 | 1    | LEVA REGOLAZIONE ALTEZZA    | LEVER, HEIGHT ADJUSTMENT  | LEVIER REGLAGE HAUTEUR  | HEBEL, HÖHEVERSTELLUNG  |                   |
| 253A | 22735535/0 | 1    | SETTORE REGOLAZIONE ALTEZZA | SECTOR, HEIGHT ADJUSTMENT | SECTEUR REGLAGE HAUTEUR | SEKTOR, HÖHEVERSTELLUNG |                   |
| 253B | 22735508/0 | 1    | SETTORE REGOLAZIONE ALTEZZA | SECTOR, HEIGHT ADJUSTMENT | SECTEUR REGLAGE HAUTEUR | SEKTOR, HÖHEVERSTELLUNG |                   |
| 253C | 12500070/0 | 3    | RIVETTO                     | RIVET                     | RIVET                   | NIETE                   |                   |
| 254  | 12609260/0 | 1    | ANELLO ARRESTO              | RING                      | ANNEAU DE TENNUE        | RING                    |                   |
| 255  | 22321502/0 | 1    | LEVA REGOLAZIONE ALTEZZA    | LEVER, HEIGHT ADJUSTMENT  | LEVIER REGLAGE HAUTEUR  | HEBEL, HÖHEVERSTELLUNG  |                   |
| 256  | 22110282/0 | 2    | COPRIMOZZO BIANCO           | HUB CAP WHITE             | COUVRE-MOYEU BLANC      | RADKAPPE WEIßE          |                   |
| -    | 22110288/0 | 2    | COPRIMOZZO GIALLO           | HUB CAP YELLOW            | COUVRE-MOYEU JAUNE      | RADKAPPE GELBE          |                   |
| -    | 22110290/0 | 2    | COPRIMOZZO ROSSO            | HUB CAP RED               | COUVRE-MOYEU ROUGE      | RADKAPPE ROTE           |                   |
| 257  | 12155000/0 | 4    | DADO                        | NUT                       | ECROU                   | MUTTER                  |                   |
| 258  | 12521350/0 | 4    | RONDELLA                    | WASHER                    | RONDELLE                | SCHEIBE                 |                   |
| 259  | 22122200/0 | 8    | CUSCINETTO                  | BEARING                   | COUSSINET               | LAGER                   |                   |
| 260  | 81007336/0 | 2    | RUOTA SCOLPITA Ø 170        | WHEEL, KNOBBLY Ø 170      | ROUE SCULPTEE Ø 170     | RAD M. STOLLENPR. Ø 170 |                   |
| 261  | 22170950/0 | 1    | DISTANZIALE DX              | R SPACER                  | ENTRETOISE D            | RECHTER DISTANZRING     |                   |
| 262  | 12523060/0 | 2    | RONDELLA                    | WASHER                    | RONDELLE                | SCHEIBE                 |                   |
| 263  | 12155000/0 | 2    | DADO                        | NUT                       | ECROU                   | MUTTER                  |                   |
| 264  | 81001408/0 | 1    | ASSE RUOTE ANTERIORE        | AXLE, FRONT WHEELS        | AXE ROUES AVANT         | ACHSE, VORDERRAD        | (T 430 - T 430 S) |
| -    | 81001410/0 | 1    | ASSE RUOTE ANTERIORE        | AXLE, FRONT WHEELS        | AXE ROUES AVANT         | ACHSE, VORDERRAD        | (T 480)           |
| 265  | 22519515/0 | 1    | DISTANZIALE SX              | L SPACER                  | ENTRETOISE G            | LINKER DISTANZRING      |                   |
| 266  | 12691100/0 | 1    | VITE                        | SCREW                     | VIS                     | SCHRAUBE                |                   |
| 267  | 81000151/0 | 1    | ASSE RUOTE POSTERIORE       | AXLE, REAR WHEELS         | AXE ROUES ARRIERE       | ACHSE, HINTERRAD        |                   |
| 268  | 81007337/0 | 2    | RUOTA SCOLPITA Ø 210        | WHEEL, KNOBBLY Ø 210      | ROUE SCULPTEE Ø 210     | RAD M. STOLLENPR. Ø 210 |                   |
| 269  | 22110281/0 | 2    | COPRIMOZZO BIANCO           | HUB CAP WHITE             | COUVRE-MOYEU BLANC      | RADKAPPE WEIßE          |                   |
| -    | 22110287/0 | 2    | COPRIMOZZO GIALLO           | HUB CAP YELLOW            | COUVRE-MOYEU JAUNE      | RADKAPPE GELBE          |                   |
| -    | 22110289/0 | 2    | COPRIMOZZO ROSSO            | HUB CAP RED               | COUVRE-MOYEU ROUGE      | RADKAPPE ROTE           |                   |
| 270  | 12530150/0 | 4    | RONDELLA ELASTICA           | ELASTIC WASHER            | RONDELLE ELASTIQUE      | ELASTISCHE SCHEIBE      |                   |
| 271  | 22519510/0 | 1    | PERNO                       | PIN                       | PIVOT                   | BOLZEN                  |                   |

4

04D\_003



04T.003

| Pos. | Code       | Q.ty | Descrizione        | Description    | Description   | Beschreibung  | Remarks      |
|------|------------|------|--------------------|----------------|---------------|---------------|--------------|
| 451  | 22785061/0 | 1    | SUPPORTO CAPOTTINA | SUPPORT, COVER | SUPPORT CAPOT | HALTER, HAUBE |              |
| 452  | 12728710/0 | 4    | VITE               | SCREW          | VIS           | SCHRAUBE      |              |
| 453  | 18563009/0 | 1    | MOTORE RST         | MOTOR RST      | MOTEUR RST    | MOTOR RST     | 230V (1600W) |
| -    | 18563061/2 | 1    | MOTORE HLT         | MOTOR HLT      | MOTEUR HLT    | MOTOR HLT     | 230V (1600W) |

## T 430 - T 430 S - T 480

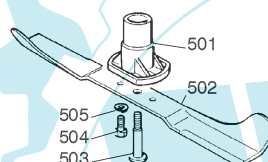
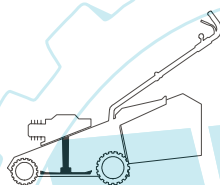
77

04T.003

| Pos.  | Code       | Q.ty | Descrizione            | Description        | Description            | Beshreibung       | Remarks      |
|-------|------------|------|------------------------|--------------------|------------------------|-------------------|--------------|
| 453   | 18563605/0 | 1    | MOTORE ATB             | MOTOR ATB          | MOTEUR ATB             | MOTOR ATB         | 230V (1600W) |
| -     | 18563607/0 | 1    | MOTORE ATB             | MOTOR ATB          | MOTEUR ATB             | MOTOR ATB         | 240V (1600W) |
| 453.1 | 18740049/0 | 1    | VENTOLA PER MOTORE HLT | FAN MOTOR HLT      | VENTILATEUR MOTEUR HLT | LÜFTER MOTOR HLT  |              |
| -     | 18740051/0 | 1    | VENTOLA PER MOTORE RST | FAN MOTOR RST      | VENTILATEUR MOTEUR RST | LÜFTER MOTOR RST  |              |
| -     | 18740054/0 | 1    | VENTOLA PER MOTORE ATB | FAN MOTOR ATB      | VENTILATEUR MOTEUR ATB | LÜFTER MOTOR ATB  |              |
| 453.2 | 18222045/0 | 1    | CONDENSATORE 16 µF     | CONDENSER 16 µF    | CONDENSEUR 16 µF       | KONDENSATOR 16 µF | (ATB)        |
| -     | 18222038/0 | 1    | CONDENSATORE 20 µF     | CONDENSER 20 µF    | CONDENSEUR 20 µF       | KONDENSATOR 20 µF | (RST - HLT)  |
| 454   | 12735410/0 | 4    | VITE                   | SCREW              | VIS                    | SCHRAUBE          |              |
| 455   | 12583500/0 | 4    | GROWER                 | GROWER             | GROWER                 | FEDERRING         |              |
| 456   | 12293200/0 | 4    | DADO                   | NUT                | ECROU                  | MUTTER            |              |
| 457   | 22207202/1 | 1    | FLANGIA                | FLANGE             | BRIDE                  | FLANSCH           |              |
| 458   | 22720360/1 | 1    | SCHERMO VENTILAZIONE   | VENTILATION SCREEN | ECRAN VENTILATION      | LÜFTUNGSSCHIRM    |              |
| 459   | 12691600/0 | 4    | VITE                   | SCREW              | VIS                    | SCHRAUBE          |              |
| 460   | 12139440/0 | 1    | LINGUETTA              | FEATHER            | CLAVETTE               | KEIL              |              |
| 461   | 12523070/0 | 4    | RONDELLA               | WASHER             | RONDELLE               | SCHEIBE           |              |

5

05D\_006



05T.017

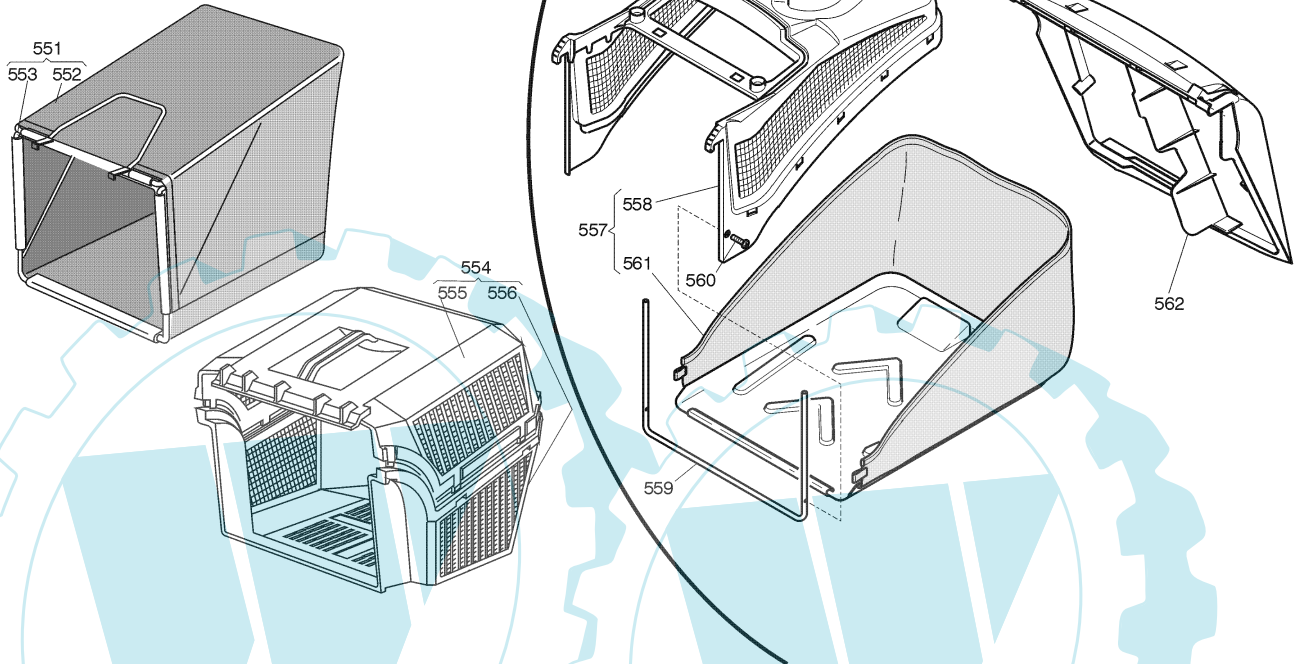
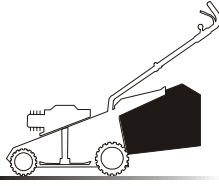
| Pos. | Code       | Q.ty | Descrizione       | Description    | Description   | Beshreibung     | Remarks |
|------|------------|------|-------------------|----------------|---------------|-----------------|---------|
| 501  | 22463187/2 | 1    | MOZZO             | HUB            | MOYEU         | HALTER          |         |
| 502  | 81004341/3 | 1    | COLTELLO STANDARD | BLADE STANDARD | LAME STANDARD | MESSER STANDARD | (41 cm) |
| -    | 81004396/0 | 1    | COLTELLO ALETTATO | BLADE WINGED   | LAME AILETTÉE | MESSER FLÜGEL   | (41 cm) |
| -    | 81004346/3 | 1    | COLTELLO STANDARD | BLADE STANDARD | LAME STANDARD | MESSER STANDARD | (46 cm) |
| -    | 81004397/0 | 1    | COLTELLO ALETTATO | BLADE WINGED   | LAME AILETTÉE | MESSER FLÜGEL   | (46 cm) |
| 503  | 81004353/1 | 1    | VITE              | SCREW          | VIS           | SCHRAUBE        |         |
| 504  | 12793101/0 | 1    | VITE              | SCREW          | VIS           | SCHRAUBE        |         |
| 505  | 12583500/0 | 2    | GROWER            | GROWER         | GROWER        | FEDERRING       |         |

## T 430 - T 430 S - T 480

77

6

06D\_004



06T\_005

| Pos. | Code       | Q.ty | Descrizione             | Description                    | Description            | Beschreibung       | Remarks |
|------|------------|------|-------------------------|--------------------------------|------------------------|--------------------|---------|
| 551  | 96400000/0 | 1    | SACCO IN TELA, COMPLETO | GRASSCATCHER, CANVASS COMPLETE | SAC EN TOILE, COMPLETE | SACK, KOMPLETTE    |         |
| 552  | 81002124/1 | 1    | SACCO, TELA             | BOX, FABRIC                    | SAC, TOILE             | SACK, TUCK         |         |
| 553  | 81006430/0 | 1    | TELAIO SACCO            | CHASSIS BOX                    | CHÂSSIS BAC            | RAHMEN SACK        |         |
| 554  | 96500000/0 | 1    | SACCO, COMPLETO         | GRASSCATCHER, COMPLETE         | SAC, COMPLETE          | SACK, KOMPLETTE    |         |
| 555  | 22486065/0 | 1    | SACCO, PARTE SUP        | GRASS-BOX, UPPER PART          | SAC, PARTIE SUPERIEURE | KORB, OBERTEIL     |         |
| 556  | 22486064/0 | 1    | SACCO, PARTE INF        | GRASS-BOX, LOWER PART          | SAC, PARTIE INFERIEURE | KORB, UNTERTEIL    |         |
| 557  | 92140000/1 | 1    | SACCO COMPLETO          | GRASS-BOX, COMPLETE            | BAC COMPLET            | KORB, KOMPLETTE    |         |
| 558  | 22486094/0 | 1    | SACCO, PARTE SUP        | GRASS-BOX, UPPER PART          | SAC, PARTIE SUPERIEURE | KORB, OBERTEIL     |         |
| 559  | 22608524/0 | 1    | RINFORZO INF            | STIFFENING LOWER               | RÉNFORCEMENT INF       | VERSTÄRKUNG UNTERE |         |
| 560  | 12728445/0 | 1    | VITE                    | SCREW                          | VIS                    | SCHRAUBE           |         |
| 561  | 81002196/0 | 1    | SACCO, TELA             | BOX, FABRIC                    | SAC, TOILE             | SACK, TUCK         |         |
| 562  | 22600066/1 | 1    | PARASASSI               | STONE-GUARD                    | PARE-PIERRES           | PRALLBLECH         |         |
| 563  | 22517907/0 | 1    | PERNO                   | PIN                            | PIVOT                  | BOLZEN             |         |
| 564  | 22451000/0 | 1    | MOLLA                   | SPRING                         | RESSORT                | FEDER              |         |